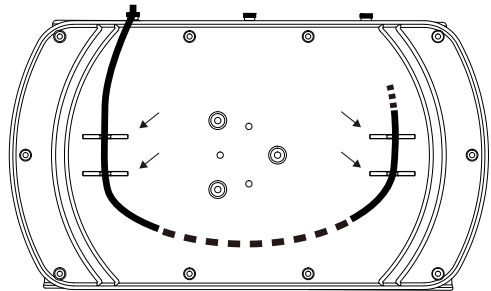
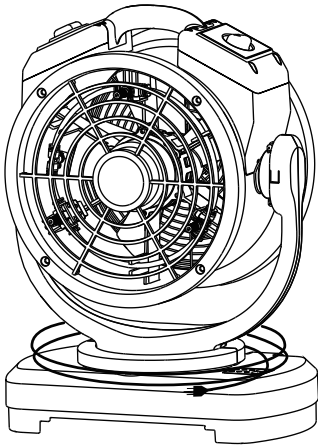


For Model FM-68:

- Wrap the water hose first and then the power cord around the rack base after use.

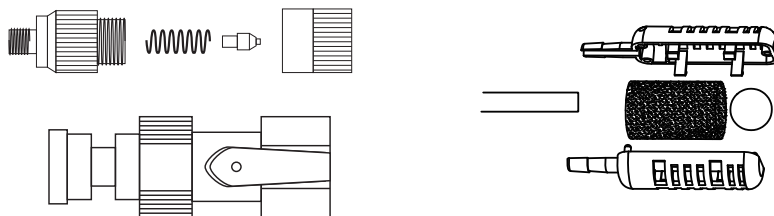


For Model FM-68W/FM-88W/FT-68W/FT-88W:

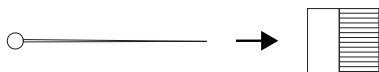
- Wrap the power cord around the rack base after use.
- Organize the pumping hose onto the bottom of the rack base. Use convenient clip on the housing to secure in place.

Atomization Assembly Maintenance

When not in use, unscrew the misting nozzles, store the nozzles in a dry indoor place out of reach of children. The nozzles must be dried completely before stored.



- Disassemble the nozzles (See illustration above) and unscrew the water faucet adapter.
- For model FM-68W, FM-68W, FT-68W or FT-88W, disassemble the pumping hose.
- Soak the parts with soapy water or mild (or alkaline) detergent for several hours.
DO NOT use vinegar or other acidic detergent.



- Optionally, use the nozzle cleaner to clean the nozzle hole from the inner surface.
- When finished, dry the surfaces completely and reassemble the parts.

Troubleshooting Guide

PROBLEM	POSSIBLE CAUSE	SOLUTION
Misting Fan does not start	No electricity.	Check for power supply.
	The power cord is not properly plugged in.	Remove and reconnect the power cord.
	The machine is working under an extreme temperature.	Turn off the machine and unplug it. Let the machine cool down to normal temperature.
	The ground fault protection on the RCD is triggered.	Check and reset the RCD on the plug.
	The anti-toppling safety switch is triggered.	Check and reset the anti-toppling safety switch.
Unit runs but the speed is abnormal	Air inlet or air outlet is blocked.	Remove blockage.
Misting function is abnormal	The pumping / water hose is blocked.	Remove blockage.
	The atomization assembly is blocked.	Remove blockage. (See Page 11: Atomization Assembly Maintenance)
	The water switch is off.	Check for water supply.

If troubleshooting does not resolve your problem, please contact XPOWER or other parties authorized by XPOWER for further instructions.

Technical Specification

MODEL NUMBER	FM-68	FM-68W	FT-68W	FM-88W	FT-88W
Voltage / Frequency	220-240V~, 50Hz				
Power	60 W	68 W		100 W	
Rated Airflow	900 CFM			1450 CFM	
Speed Control	3 Speeds				
Cord Length	3.0 m		7.6 m	3.0 m	7.6 m
Unit Dimension (L) x (W) x (H)	37.5 x 21 x 48.3 cm	37.5 x 21.7 x 51.1 cm		43.5 x 24.5 x 59.8 cm	
Unit Weight	5.8 kg	6.11 kg	6.45 kg	7.73 kg	8.07 kg
Safety Certification	CE/UKCA				

If your product(s) is not listed above, please visit www.xpowermfr.com for more information.

Fogging Outlet Specification

	Misting Nozzle	Max Mist Volume	Max Throw Distance
FM-68	0.3 mm (Marked 3010)	5.9 L / h	9.0 m
FM-68W / FT-68W		7.5 L / h	8.0 m
FM-88W / FT-88W		9.5 L / h	10.0 m

XPOWER Limited Warranty

1 YEAR LIMITED WARRANTY

XPOWER-branded products purchased in the U.S. from authorized distributors include a 1-year limited warranty. Contact XPOWER to confirm warranty information about your product(s).

This limited warranty covers defects in materials and workmanship in your XPOWER-branded products. Contact an XPOWER Distributor in your region for warranty service and parts replacement.

Items mentioned but not limited to below are not covered by warranty:

- (1) Power cord, batteries, filters or any other components considered as a “consumable parts” by XPOWER.
- (2) Normal wear and tear.
- (3) Problems that result, directly or indirectly, at XPOWER’s sole discretion, from:
 - (3.1) External causes such as accident, abuse, misuse or problems with electrical power supply.
 - (3.2) Disassembling, servicing or modification not authorized by XPOWER.
 - (3.3) Usage that is not accordant with product instructions stated in Owner’s Manual.
 - (3.4) Failure to follow the product instructions or lack of necessary maintenance stated in Owner’s Manual.



XPOWER Manufacture, INC.

668 S. 6th Ave.,
City of Industry, CA 91746 USA

Read and save these instructions
www.xpower.com | www.tx-5.com.hk

Index: EU-1-A36
Edition: 1.0.Final