

空氣淨化機·用戶手冊 Air Scrubber Owner's Manual

型號 / Model

AP-1800D-PHI

AP-2500D-PHI

(220-240V~, 50Hz)



請仔細閱讀本說明書，並妥善保管
Read and save these instructions

www.xpower.com | www.tx-5.com.hk

Index: HK-1-A71
Edition: 1.5. Final

安全指引

⚠ 警告 - 請仔細閱讀本說明書，並妥善保管。

電氣產品的使用過程可能造成的一定的危害，包括但不限於人體受傷、火災、觸電。不遵守本說明的指引和規範可能會損壞本產品，影響本產品的運行或使產品保修失效。

- **請勿**嘗試自行修理或改造本產品的任何電氣或機械功能，否則可能產生危險或會損壞產品，使保修失效。
- **警告：**本產品不適合兒童使用。在兒童附近使用時，使用者需密切注意安全風險。
- **請勿**將本產品當做玩具。
- 在連接電源後，必須看管本產品。請在檢修本產品前，或本產品閑置時斷開電源。
- **請勿**將本產品連接在延長線拖。
- 需要拔出插頭時，**請勿**直接拉扯電源線，緊抓插頭並往外用力拔。
- 若本產品的電源線或插頭損壞，**請勿**繼續使用；請報廢本產品或送至授權服務商進行檢查或修理。
- **請勿**濕手接觸本產品或其插頭。
- **請勿**嘗試自行拆解本產品。
- 危險：**請勿**將本產品置於雨中或水中。
- **請勿：**在機器會跌入水中的地方使用或存放。如果機器不慎跌入水中，拔出插頭，**請勿**接觸在水裏的機器。盡量遠離浴室，**請勿**在潮濕的地面或錶面使用。
- **請勿**讓物體阻擋產品的進風口或出風口。**請勿**將產品氣流直接射向人或活體動物。

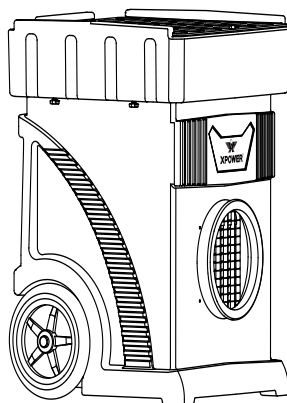
⚠ 特別注意：

- 1. 由於內部含有紫外光（UV）裝置，更換組件時務必完全斷開電源。
- 2. 避免直視紫外光：機器運作時，嚴禁直視內部的紫外光束，以免對眼睛或皮膚造成嚴重傷害。
- 3. 雖然 PHI 技術強調能控制臭氧產出在安全範圍內，但在極其狹小或完全不通風的密閉空間長時間使用，仍建議配合適度通風（如定期開窗），以防止臭氧濃度累積導致呼吸道不適
- 4. 設備建議連續 24 小時開啟，因為主動淨化技術需要時間讓淨化因子分佈到空間各個角落。

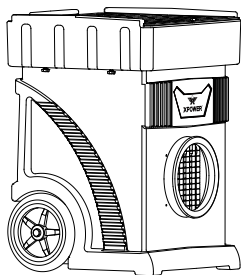
PHI 系列空氣淨化機·介紹

產品功能介紹

XPOWER AP-1800D/2500D-PHI 採用先進的主動式 PHI 光氫離子淨化技術。該技術模擬自然界中陽光、水與空氣的作用，藉助寬光譜高能量催化稀有金屬，產生氧化氫、羥基等高階淨化因子。這些強氧化性離子在空氣中主動捕捉微生物，破壞細菌細胞膜及病毒糖蛋白，迅速殺滅 99% 的細菌、病毒和霉菌，徹底氧化分解生活異味，淨化整個空間的空氣和物體表面，而非僅限於設備周圍。



內容物清單



• 空氣淨化機 x 1



• 螺絲 x 2



• 螺母 x 2



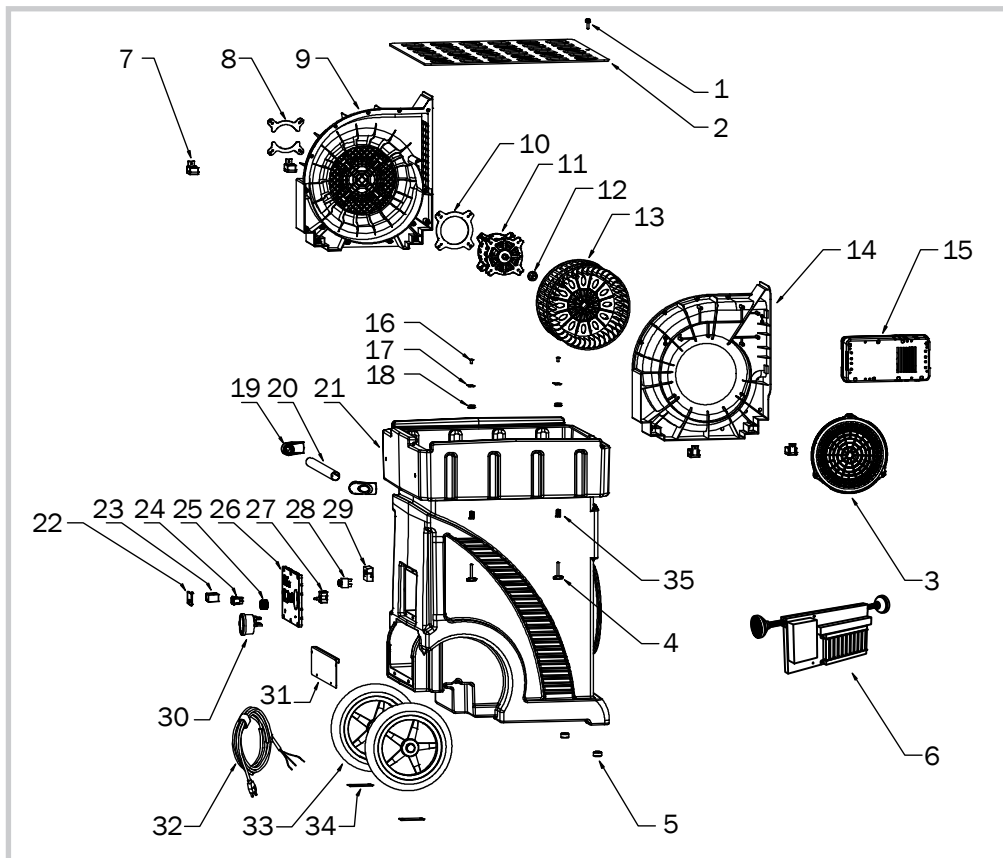
• 把手 x 1



• 用戶手冊 x 1

產品部位介紹

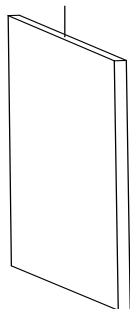
機器部分



- | | | |
|--------------|----------------|---------------|
| (1) 進風口格柵蓋螺絲 | (13) 風機 | (25) 調速旋鈕 |
| (2) 進風口格柵蓋 | (14) 電機左側外殼 | (26) 控制面板 |
| (3) 手柄螺絲 | (15) 電機控制電路板組件 | (27) 調速電路板 |
| (4) 橡膠墊 | (16) 鉚釘螺母 | (28) 斷路器 |
| (5) 電機進風口格柵蓋 | (17) 濾網固定器 | (29) 空氣質量傳感器盒 |
| (6) PHI 核心模組 | (18) 法蘭螺母 | (30) 壓力錶 |
| (7) 電機外殼固定裝置 | (19) 手柄蓋 | (31) 電源線收納箱蓋 |
| (8) 電機固定器 | (20) 手柄管 | (32) 電源線 |
| (9) 電機右側外殼 | (21) 機身外殼 | (33) 輪子組件 |
| (10) 隔熱板 | (22) 空氣質量傳感器蓋 | (34) 輪子底盤 |
| (11) 電機 | (23) 空氣質量傳感器 | (35) 手柄螺絲套筒 |
| (12) 套筒 | (24) 電源開關 | |

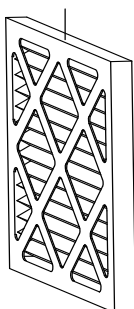
濾網部分

聚酯纖維濾網



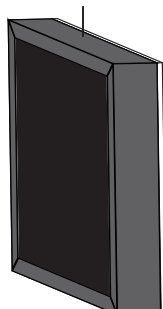
RP20 / RP24

初效濾網



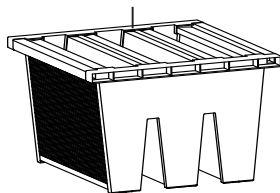
PF19 / PF23

活性炭濾網



CF35-490 / CF50-595

HEPA 濾網



HEPA300-490PV / HEPA300-PV

濾網型號	AP-1800D-PHI	AP-2500D-PHI
第一層濾網	RP20	RP24
第二層濾網	PF19	PF23
第三層濾網	CF35-490	CF50-595
第四層濾網	HEPA300-490PV	HEPA300-PV

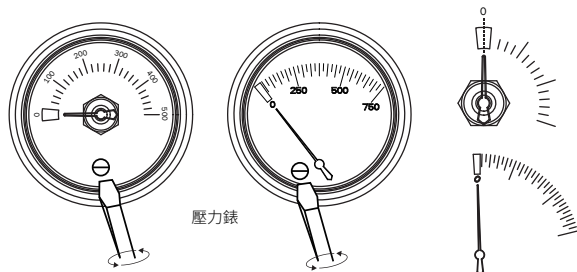
安裝與操作指南

移除濾網包裝袋 (如果有)

首次使用之前，請移除濾網的外包裝。

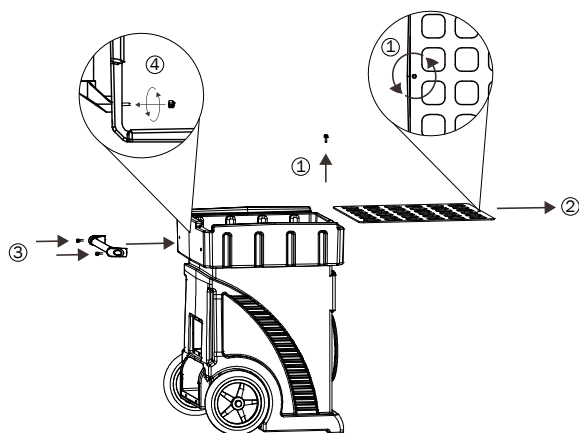
調零

- 壓力錶的精度可能會受到運輸的影響。
- 首次使用之前，應該將壓力錶歸零，以確保測量的準確性。

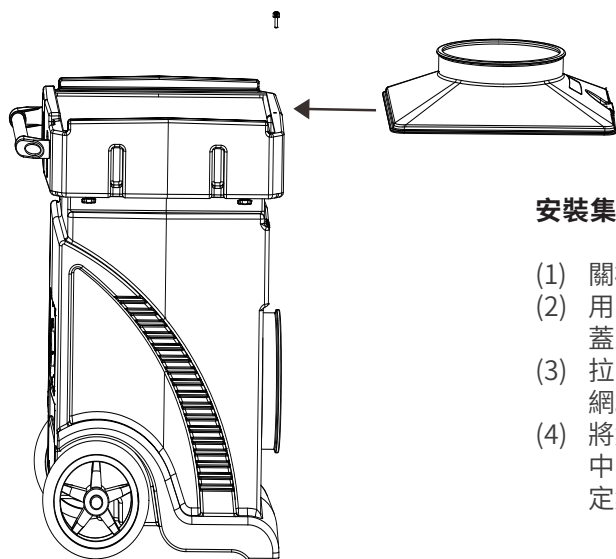


- 使用一字螺絲批調整壓力錶上的調零螺釘，直到指針停留在零扇區的中間。

安裝把手

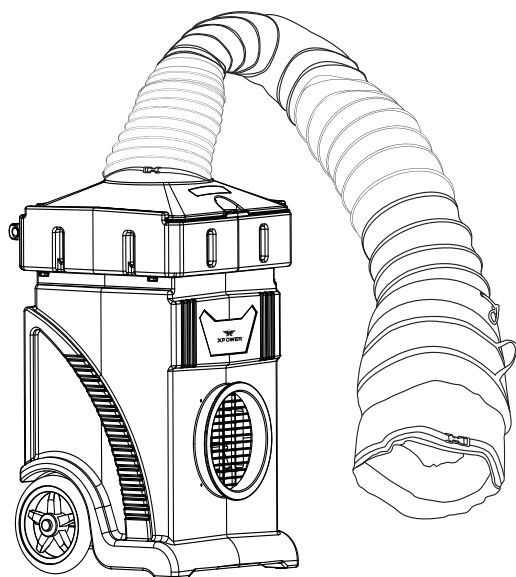


- (1) 用進風口格柵蓋上的六角螺絲批擰下六角螺釘。
- (2) 取出進風口格柵蓋。
- (3) 將螺釘穿過手柄和機器外殼背面的孔。
- (4) 用螺母從機器內錶面擰緊螺釘。



安裝集塵適配器

- (1) 關機。
- (2) 用六角螺絲批拆下進氣口柵蓋上的六角螺絲。
- (3) 拉出進氣口柵蓋及活性炭濾網。
- (4) 將集塵適配器推到進風口中, 並用進氣口柵蓋螺絲固定集塵適配器。



- (5) 將導管軟管連接到集塵適配器的進風口。

擴展設置 (可選)

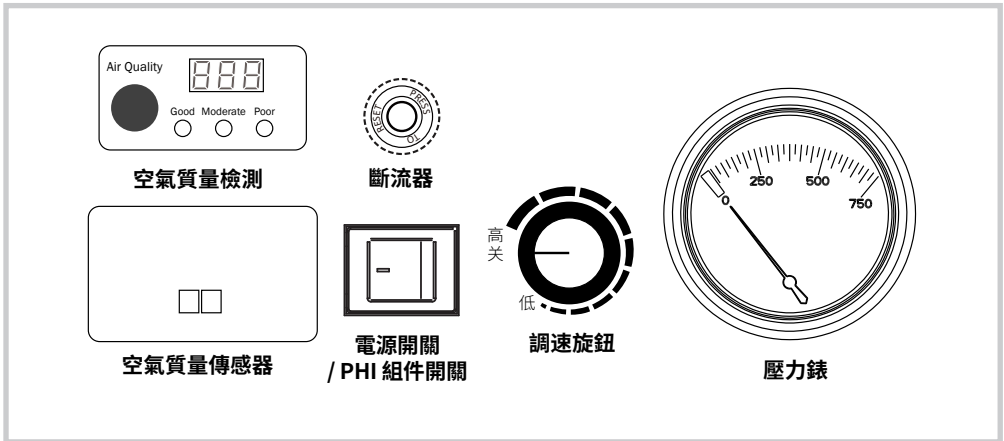


排氣管道

- 關機
- 將軟管連接到排氣口。

選擇擺放位置 (重要訊息)

- **區域封閉：**為了確保機器獲得最佳的工作效率和更長的濾網壽命，應在封閉區域內運行機器。機器工作時，請關閉房間的所有門，窗戶和其他連接其他空間的通道。
- **空氣流通：**建議在您的工作區域內保持恆定有效的空氣流通。您可以通過 XPOWER 吹地機組合來實現此目的。
- **環境濕度：**為了確保機器獲得最佳的工作效率和更長的濾網壽命，請勿在相對濕度較高的環境中運行機器。高濕度會導致堵塞並損壞濾網或者主機。
- **電源線：**選擇電源線可以連接電源的位置。
- **進風口和出風口方向：**注意進風口和出風口的方向，確保機器產生的氣流不會影響附近的任何物體。
- **重要訊息：**UV 空氣淨化消毒機的效率會受到不同因素的影響。對於較大的封閉區域，可能需要安裝多台空氣淨化主機。



空氣質量監測

- 當此監測屏幕閃爍時，說明監測器正在啟動中。
- 屏幕上的數值顯示代錶環境中的顆粒物 (PM2.5) 濃度，單位是 $\mu\text{g}/\text{m}^3$ 。
- 空氣質量指示燈會指示環境的空氣質量等級。根據空氣質量指數，不同顏色的空氣質量指示燈對應不同的空氣質量等級，如下錶所示：

空氣質量指示燈	空氣質量等級
綠燈 / 良好	一級 (優)
黃 (橙) 燈 / 一般	二級 (良)，或三級 (輕度污染)
紅燈 / 較差	四級 (中度污染)，五級 (重度污染)，或六級 (嚴重污染)

斷路器

如果機器停止工作，請按重置按鈕重啟機器。

電源開關 / PHI 核心模組開關

- 電源開關與 PHI 核心模組開關為獨立兩個開關，前者控制電源，後者控制 PHI 核心模組。
- 按下「**I**」以打開電源或 PHI 核心模組；按下「**O**」以關閉電源或 PHI 核心模組。

調速旋鈕

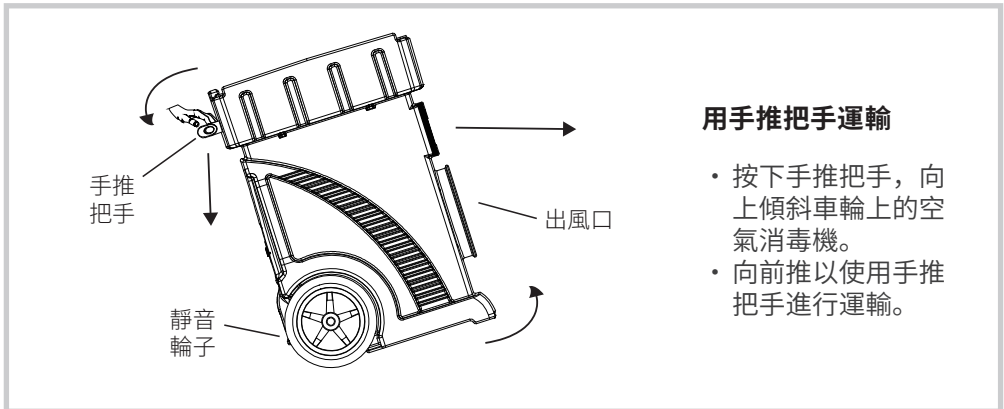
- 旋轉至「**關**」位置以關閉風機。順時針旋轉到「**高**」和「**低**」之間的任何位置以打開風機。
- 可以靈活地調整到任意所需的**速度**。「**高**」是最高速，「**低**」是最低速度。

壓力錶

- 在第一次使用之前，您應該將壓力錶調零，以確保測量的準確性。（請參閱第 6 頁：調零）
- 所有濾網按順序安裝後，打開電源開關並轉到最高速度。如果負壓超過以下值，則錶明濾網可能已超過顆粒的最大容量，並且過濾效率和氣流已降低。您應該檢查、清潔或更換濾網。（請參閱第 12 頁：濾網維護）
- 即使壓力錶顯示負壓仍低於以下值，建議每 6 個月檢查並更換一次濾網。（請參閱第 12 頁：濾網維護）

	AP-1800D-PHI	AP-2500D-PHI
不配活性炭濾網時	370 Pa.	340 Pa.
配活性炭濾網時	500 Pa.	650 Pa.

搬運和存放



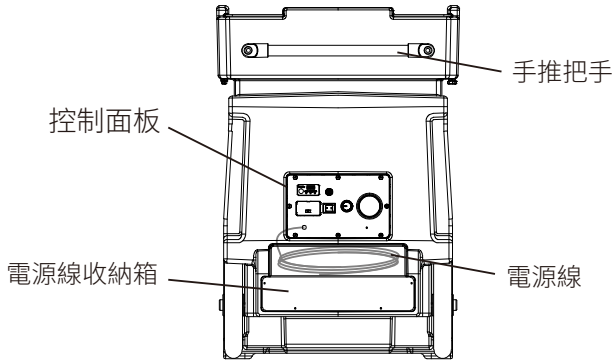
維護指南

建議定期維護本產品。不遵守維護指南可能會導致產品故障並使保修失效。維護機器前，請務必斷開機器與電源的連接。

機器維護

- 不使用時，拔下電源插頭，取下所有延長線，並用覆蓋物蓋住設備。將產品存放在乾燥陰涼的室內。確保將其放在兒童接觸不到的地方。
- 用濕布擦拭外殼錶面。不要直接用水沖洗本產品。
- 檢查出風口是否乾淨。清除可能阻塞進風口和出風口的灰塵或其他堵塞物。

背面圖



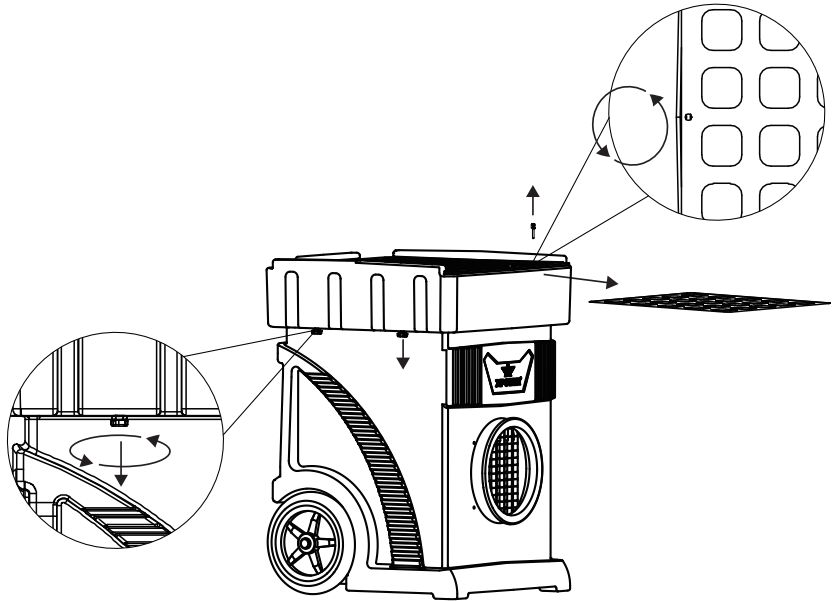
電源線收納

- 電源線可以被收納在空氣消毒機背面的電源線收納箱內。

濾網維護

為確保最佳過濾效率並防止使用過的濾網帶來的二次污染，濾網應該被經常更換或清潔，或者在濾網清潔 / 更換燈亮起時更換或清潔濾網。請按照以下說明操作：

卸載濾網 (另請參閱第 4 頁：產品部位介紹)



- 擰下進風口格栅蓋上的螺釘，然後取出進風口格栅蓋。
- 擰下側面的 4 個螺釘，然後鬆開濾網固定器。
- 從頂部卸載濾網。

清潔濾網 (另請參閱第 5 頁：濾網部分)

- **聚酯纖維濾網：**此濾網可水洗。這款耐用的前置濾網可延長後置濾網的使用壽命，且易於清潔與安裝，適合長期使用。
- **初效濾網：**此濾網不可清洗。用真空吸塵器清除濾網上灰塵毛屑。如果濾網滿載燈仍然點亮，則可能需要更換新濾網。
- **活性炭濾網：**此濾網不可清洗。使用吸塵器或乾淨的抹布清除灰塵毛屑。然後平放在一個乾燥清潔的平面，讓充足的陽光照射 3 小時。在合適的溫度下，陽光有助於釋放活性炭中吸附的物質，重新激活濾網。若經過此步驟後，濾網更換指示燈仍然亮起，或能觀察到濾網的過濾效果明顯下降，則可能需要更換新的濾網。
- **HEPA 濾網：**此濾網不可清洗或重複使用。HEPA 濾網捕獲了高度濃縮的顆粒，清潔該濾網可能對清潔人體健康有害並污染附近的環境。如果所有其他濾網都清潔，但是濾網滿載的燈仍然亮著，即必須更換新濾網。

濾網存儲

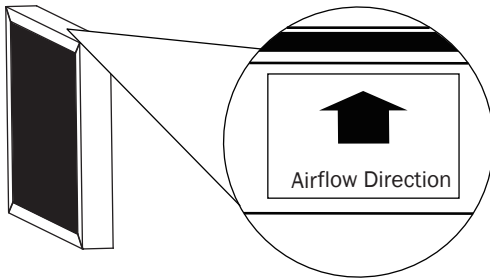
- 機器長時間不使用時，應將濾網與機器分開存放。
- 存放前務必清潔濾網。將濾網放在密封的塑料袋中，然後存放在乾燥陰涼的室內。

⚠ 警告：廢棄不再使用的濾網

使用過的濾網捕獲的微小顆粒一旦暴露在空氣中，可能會對人體健康造成有害影響，並污染附近的環境。在整個清潔，處置或廢棄的過程中，需要充足的個人保護設備（PPE），例如，行業認可的口罩，護目鏡，手套和工作服。處置前，應將用過的濾網放在密封的塑料袋中。處置方法請參照當地的法律法規。

重新裝入濾網

為了確保最佳的效率和濾網使用壽命，請按正確的位置，順序和方向重新裝入每個濾網。



溫馨提示：

- 帶有箭頭的標籤，顯示了氣流的方向。
- 放置濾網時，帶有標籤的一面應朝上。標籤上的箭頭應指向主機身。

故障排除指南

故障	可能的原因	解決辦法
機器不啟動	沒有供電。	檢查電源。
	電源線沒有插好。	拔出電源線並重新插上。
機器運行，但沒有出風，或出風很少	進風口，出風口被堵住。	打開前泡棉蓋或清除堵塞物。
	濾網已滿載。濾網滿載指示燈亮。	清潔濾網或更換新濾網。
空氣淨化效果不佳	PHI 核心組件未啟動。	打開 PHI 組件開關。
設備自動重複運行和停止	輸入電壓過低。觸發裝置內的電壓保護。	檢查電源。嘗試插入另一個電源插座。嘗試使用 16 AWG 或更大且小於 25 英尺的延長線。

技術規格

型號	AP-1800D -PHI	AP-2500D-PHI
額定電壓 / 頻率	220 - 240 V~, 50Hz	
額定功率	384 W	900 W
電流	3.5 A	4.0 A
額定風量	1900 m ³ /h	3100 m ³ /h
調速	無級調速	
電源線長	7.6 m	
產品尺寸 (L) x (W) x (H)	57.4 x 63.9 x 94.6 cm	74.8 x 67.8 x 98.6 cm
淨重	22.9 kg	49.5 kg

濾網參數

濾網型號	濾網種類	尺寸	厚度	功能
RP20	Rigid Polyester Filter	20 x 20 in.	1 in.	初級過濾：針對肉眼可見及粗顆粒。
RP24		24 x 24 in.	1 in.	
PF19	Pleated Media Filter	19 x 19 in.	1.4 in.	中效過濾：針對細微粉塵。
PF23		23 x 23 in.	1.8 in.	
CF35-490	Carbon Filter	19 x 19 in.	14 in.	氣體過濾：針對有害氣體及異味。
CF35-595		23 x 23 in.	14 in.	
HEPA300-490PV	Plastic V-Shaped HEPA Filter	19 x 19 in.	11.5 in.	終級過濾：針對微細懸浮粒子。
HEPA300-PV		23 x 23 in.	11.5 in.	

有毒有害物質或元素說明

部稱	有毒有害物質或元素					
	鉛 (Pb)	汞 (Hg)	鎘 (Cd)	六價鉻 (Cr ⁶⁺)	多溴聯苯 (PBB)	多溴二苯醚 (PBDE)
電路板組件 *	X	O	X	O	X	X
開關	O	O	X	O	O	O
電機	X	O	O	O	O	O
電源線	X	O	O	O	O	O

*：電路板組件包括印刷電路板及構成的零部件，如電阻、電容、集成電路等。
O：表該有毒有害物質在該部分所有均質材料中的含量在 GB/T 26572 標準規定的限量要求以下。

X：表該有毒有害物質至少在該部件的某一均質材料中的含量超出 GB/T 26572 標準規定的限量要求。

注：上述產品部件中，有毒有害物質或元素含量超出標準規定限量要求的原因是：受目前行業的工藝和技術水平限制，暫還沒有完全成熟的替代品。

XPOWER 有限保修政策

保修條款僅適用於**電器類產品**。

1 年有限保修條款：您通過授權經銷商或其他授權渠道購買的 XPOWER 品牌產品，享受 1 年的有限保修條款。

有限保修條款是指，XPOWER 品牌承諾，在保修期內，您購買的產品沒有材料和工藝上的缺陷。該產品必須是在當地購買的。若您的產品是在其他國家購買的，請參照當地的保修條款。

⚠ 請注意：

- (1) 使用前，請在 XPOWER 或代理商官方網站完成產品註冊，以享受保修條款。
- (2) 此保修條款可能有更新變化，請聯繫我們或者參考 XPOWER 官方網站最新的售後服務政策。

不享受保修條款的情況或部件，包括但不限於：

- (1) 電源線，濾網或其他 XPOWER 認定是「損耗部件」的部件。
- (2) 正常使用發生的耗損。
- (3) 經 XPOWER 鑑定後，認為產品是因為以下情況出現問題的：
 - (3.1) 外部原因，例如不可抗力意外，濫用錯誤操作，或者使用了錯誤的電源。
 - (3.2) 未經 XPOWER 授權，私自拆解，維修或者篡改了產品。
 - (3.3) 未能按用戶手冊上的操作指引操作。
 - (3.4) 未能按用戶手冊上的維護指引定期維護，或缺少必要的維護。若您不確認您購買的產品是否享受保修條款，請聯繫我們進行確認。

在聯繫 XPOWER 之前，以下方式也可能幫助您解決問題：

- (1) 參閱用戶手冊中的「故障排除指南」。
- (2) 訪問 XPOWER 官方網站獲取更多的諮詢和幫助。

您可以通過以下方式聯繫 XPOWER：

發送郵件到 info@tx-5.com.hk。

聯繫我們時，請您準備好購買發票等有效的購買憑證，以及記下您產品的序列號。

若我們建議您寄回您的產品，請付單程運費寄回 XPOWER 指定的寄返地址。XPOWER 將會對您的產品進行專業的檢查，然後儘快與您聯繫，反饋必要的維修工序，時長以及可能產生的費用。若您的產品在保修期內且必要的維修在保修條款範圍內，我們會免費維修或者替換您的機器，並寄回到您指定的地址；否則，根據當地代理商條款，您需要承擔寄回的費用。

保修卡（請沿邊框剪下保存，遺失不補）

非常感謝您選擇 XPOWER 產品！XPOWER 願竭力為您提供優質的服務！《保修卡》是 XPOWER 產品的重要保修憑證，請您仔細填寫此卡並妥善保存。

產品型號		購買日期		用戶電話	
產品序列號		用戶地址		經銷商蓋章	
XPOWER Manufacture,Inc. (USA)					

Safety Instructions

⚠ WARNING - READ AND SAVE THIS INSTRUCTIONS BEFORE USING THIS PRODUCT.

The user of electrical products may create hazards that include, but are not limited to injury, fire, electrical shock. Failure to follow these instructions may damage and/or impair its operation and void the warranty.

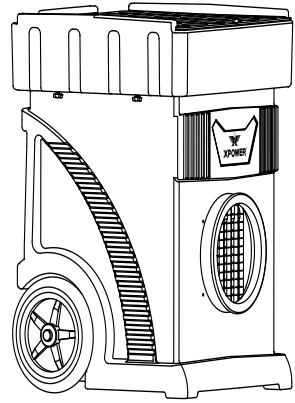
- **DO NOT** attempt to repair or modify any electrical or mechanical functions of this product on your own, otherwise it may cause danger or damage the product, rendering the warranty void.
- **WARNING:** This product is not suitable for children. When using it around children, the user must closely monitor the safety risks.
- **DO NOT** use this product as a toy.
- After connecting the power supply, you must keep an eye on this product. Before inspecting this product, or when the product is idle, disconnect the power.
- **DO NOT** plug this product into a power strip.
- When unplugging the plug, **DO NOT** pull the power cord directly. Hold the plug firmly and pull it out.
- If the power cord or plug of this product is damaged, **DO NOT** continue to use it; please dispose of this product or send it to an authorized service provider for inspection or repair.
- **DO NOT** touch this product or its plug with wet hands.
- **DO NOT** attempt to disassemble this product.
- **DANGER: DO NOT** place this product in the rain or water.
- **DO NOT** use or store the machine in a place where it may fall into water. If the machine accidentally falls into water, unplug it and **DO NOT** touch the machine in the water. Keep it away from bathrooms and **DO NOT** use it on damp floors or surfaces.
- **DO NOT** block the product's air intake or outlet with objects. Do not direct the product's airflow directly at people or living animals.

Special Notes:

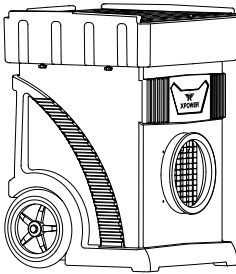
- 1. Due to the presence of an internal ultraviolet (UV) light device, always completely disconnect the power supply when replacing components.
- 2. Avoid direct exposure to UV light: **DO NOT** look directly at the internal UV beams while the machine is operating, as this may cause serious damage to your eyes or skin.
- 3. Although PHI technology emphasizes controlling ozone production within safe limits, for prolonged use in extremely confined or completely unventilated enclosed spaces, it is still recommended to use adequate ventilation (such as regularly opening windows) to prevent ozone concentration buildup and respiratory discomfort.
- 4. It is recommended to run the device continuously for 24 hours, as active purification technology requires time for the purifying agents to distribute throughout the space.

Air Scrubber Introduction

The XPOWER AP-1800D/2500D-PHI utilizes advanced Active PHI technology. This technology simulates the natural interaction of sunlight, water, and air, using broad-spectrum high-energy light to catalyze rare metals and generate advanced purification factors such as **HYDROGEN PEROXIDE** and **HYDROXYL RADICALS**. These powerful oxidizing ions act as active "Air Guardians," proactively capturing microbes in the air to destroy bacterial cell membranes and viral glycoproteins. It rapidly eliminates 99% of bacteria, viruses, and mold, while thoroughly decomposing odors to purify the air and surfaces throughout the entire space, rather than just around the device.



Items Included



• Air Scrubber x 1



• Hex Screws x 2



• Nuts x 2



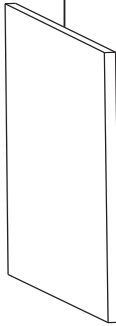
• Handle x 1



• Owner's Manual x 1

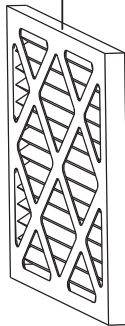
Filters

Rigid Polyester Filter



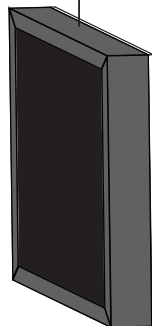
RP20/RP24

Pleated Media Filter



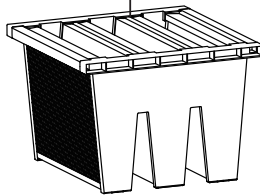
PF19 / PF23

Carbon Filter



CF35-490/ CF50-595

HEPA Filter



HEPA300-490PV / HEPA300-PV

MODEL NUMBER	AP-1800D-PHI	AP-2500D-PHI
First Stage Filter	RP20	RP24
Second Stage Filter	PF19	PF23
Third Stage Filter	CF35-490	CF50-595
Fourth Stage Filter	HEPA300-490PV	HEPA300-PV

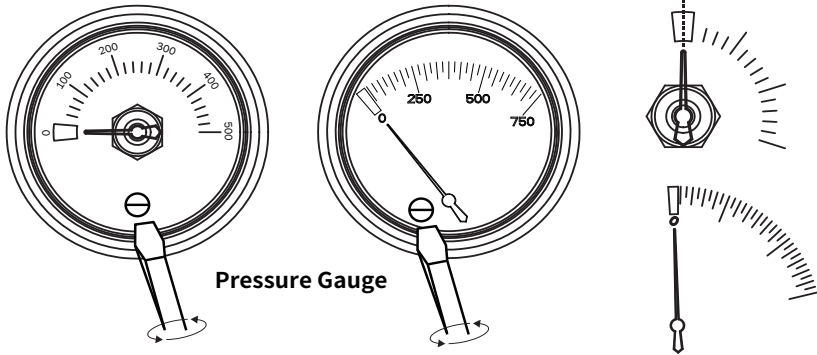
Installation and Operation Guide

Remove Filter Package (If Any)

Remove the packages of the filter before the first usage.

Zero Setting

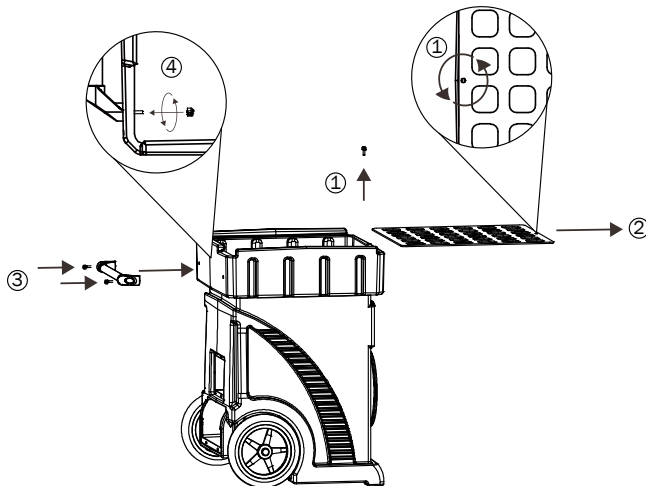
- The accuracy of the pressure gauge might be affected by transportation.
- Before the first usage, you should zero the pressure gauge in order to ensure the accuracy of the measurement.



Pressure Gauge

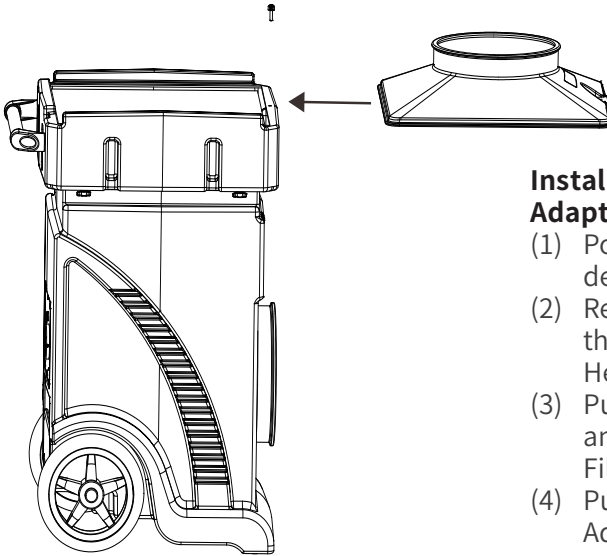
- Use a straight screwdriver to adjust the zero setting screw on the pressure gauge, until the pointer stays in the middle of the zero sector.

Installing the Handle



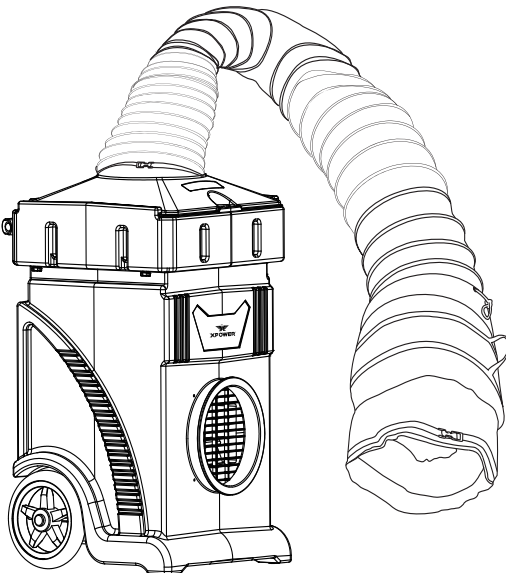
- (1) Screw off the hex screw with a hex screw driver on the inlet grill cover.
- (2) Take out the inlet grill cover.
- (3) Put the screws through the holes on handle and the back of the machine housing.
- (4) Fasten the screws with the nuts from the inner surface of the machine.

Optional Expansion Configuration



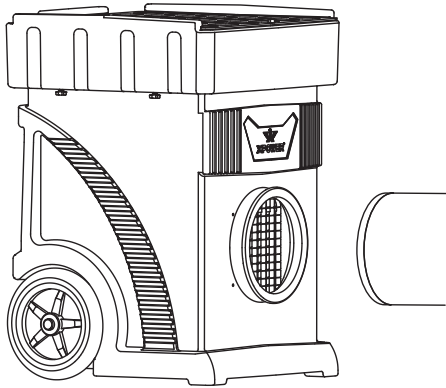
Installing the Dust Collection Adapter

- (1) Power Off. Turn off the device.
- (2) Remove the Hex Screws on the Air Intake Grille using a Hex Screwdriver.
- (3) Pull out the Air Intake Grille and the Activated Carbon Filter.
- (4) Push the Dust Collection Adapter into the air inlet, and secure it with the Air Intake Grille Screws.



- (5) Connect the Duct Hose to the inlet of the Dust Collection Adapter.

Optional Expansion Configuration



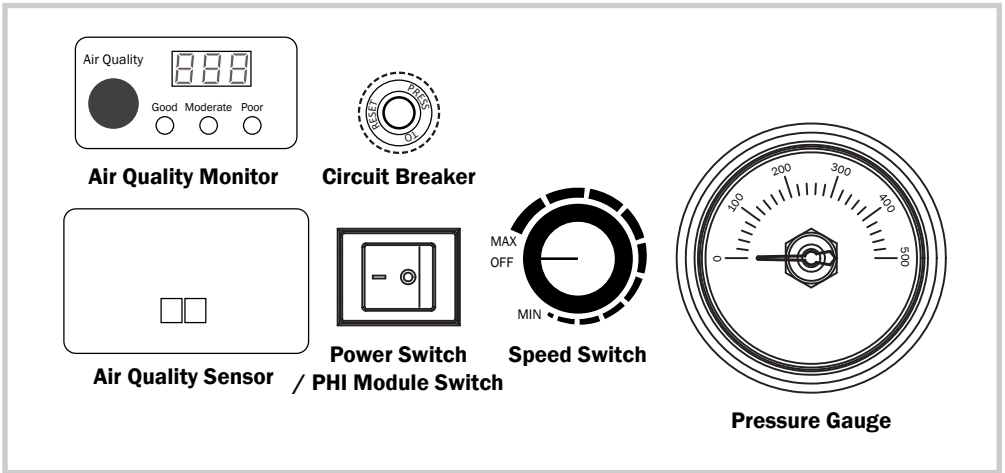
Exhaust Ducting

- Turn off the machine.
- Attach the ducting hose to the exhaust.

Selecting a Location (Important)

- **Enclosed Area:** For optimal efficiency and longer filter lifespan, the Air Scrubber should be operated in an enclosed area. Keep all doors, windows and other outside entrances to the room closed.
- **Air Circulation:** It is suggested to have a constant efficient air circulation inside your working area.
- **Environment Humidity:** For optimal efficiency and higher filter lifespan, the Air Scrubber should not be operated in an environment with a high relative humidity level. High humidity level could cause blockage and damage to filters.
- **Power Cord:** Select a location where the power cord can reach the power source.
- **Inlet and Outlet Orientation:** Also pay attention to the orientation of the air inlet and air outlet. Make sure the airflow won't influence any object nearby the Air Scrubber.
- **IMPORTANT:** The effectiveness of the Air Scrubber can be influenced by different factors. You may also find that installing multiple Air Scrubbers may be required for larger enclosed areas.

Control Panel



Air Quality Monitor

- When this monitor blinks, it indicates the Air Quality Sensor is now preparing for detection.
- The digital display will show the concentration of fine particulate matter (PM_{2.5}) in the environment in $\mu\text{g}/\text{m}^3$.
- The index light will indicate the air quality category of the environment. According to the Air Quality Index developed by the United States Environmental Protection Agency (EPA), the index light corresponds to different levels of health concern as below:

Index Light	Levels of Health Concern according to the AQI by EPA
Green / Good	Good
Orange (Yellow) / Moderate	Moderate or, Unhealthy for Sensitive Groups
Red / Poor	Unhealthy, or Very Unhealthy, or Hazardous

Control Panel (Continued)

Circuit Breaker

If the machine stops working, pressing the **RESET BUTTON** to reset the machine.

Power Switch / PHI Module Switch

- The Power Switch and the PHI Module Switch are two separate switches; the former controls the power supply, and the latter controls the PHI core module.
- Press 「**I**」 to turn on the power supply or the PHI core module; press 「**O**」 to turn off the power supply or the PHI core module.

Speed Switch

- Turn to 「**OFF**」 position to switch the fan OFF. Turn clock-wisely to any position between 「**MAX**」 and 「**MIN**」 to switch the fan ON.
- You can adjust to any desired speed variably. 「**MAX**」 is the highest speed and 「**MIN**」 is the lowest speed.

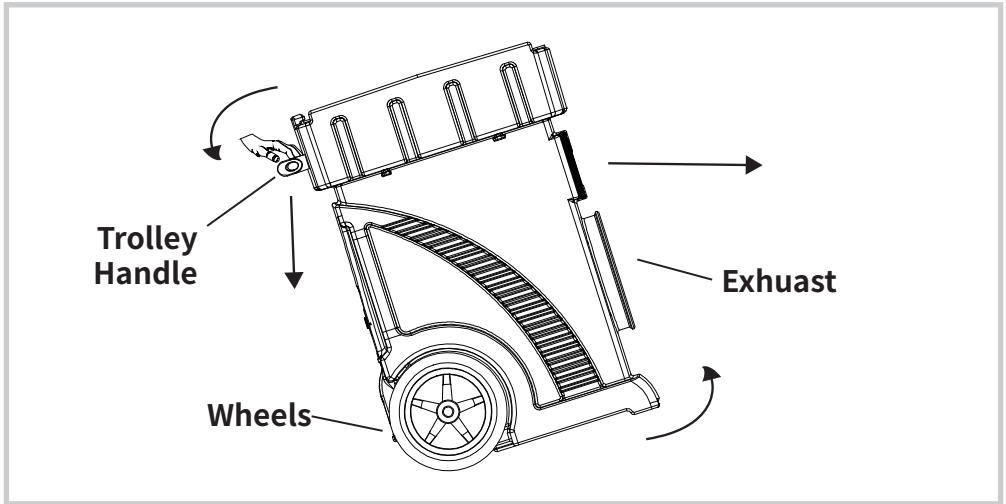
Pressure Gauge

This measures the negative pressure between the motor inlet and filter outlet.

- Before the first usage, you should zero the pressure gauge in order to ensure the accuracy of the measurement. (See Page 6: Zero Setting)
- Load all the filters, switch the power on and turn to the highest speed. If the negative pressure exceeds the values below, it indicates that the filters might have exceeded the maximum capacity of particles, and the filtration efficiency as well as the airflow have diminished. You should check, clean or replace the filters. (See Page 13: Filter Maintenance)
- Even if the pressure gauge shows negative pressure is still lower than the values below, it's suggested to check and replace the filters every 6 months. (See Page 13: Filter Maintenance)

	AP-1500 Series	AP-1800 Series	AP-2500 Series
Without Carbon Filter	270 Pa.	370 Pa.	340 Pa.
With Carbon Filter	350 Pa.	500 Pa.	650 Pa.

Transportation



Transport with Trolley Handle

- Press down the trolley handle to tilt up the air scrubber on the wheels.
- Push forward to transport with the trolley handle.

User Maintenance Instructions

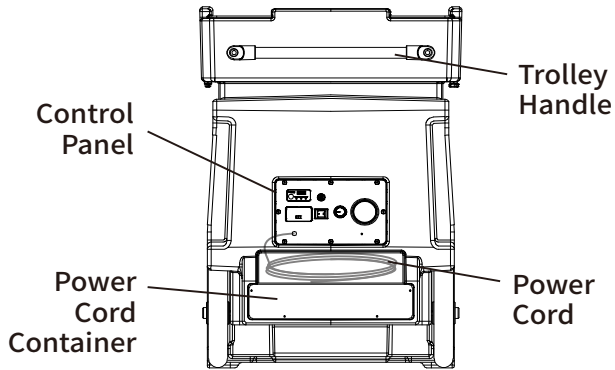
Frequent maintenance is recommended on this appliance. Failure to follow the maintenance instructions may cause failure of the appliance and void the warranty.

Before performing any maintenance or cleaning, always disconnect the Air Scrubber from its power source.

Machine Maintenance

- When not in use, unplug, and uninstall power cords and all the extensions. Store the appliance in a dry and cool indoor place. Make sure it's out of reach of children.
- Use a damp cloth to wipe the surface of the housing. Do not clean the unit with water directly.
- Check if the grille covers are clean. Remove dirt or any other objects that could block the air inlet and air outlet.

REAR VIEW



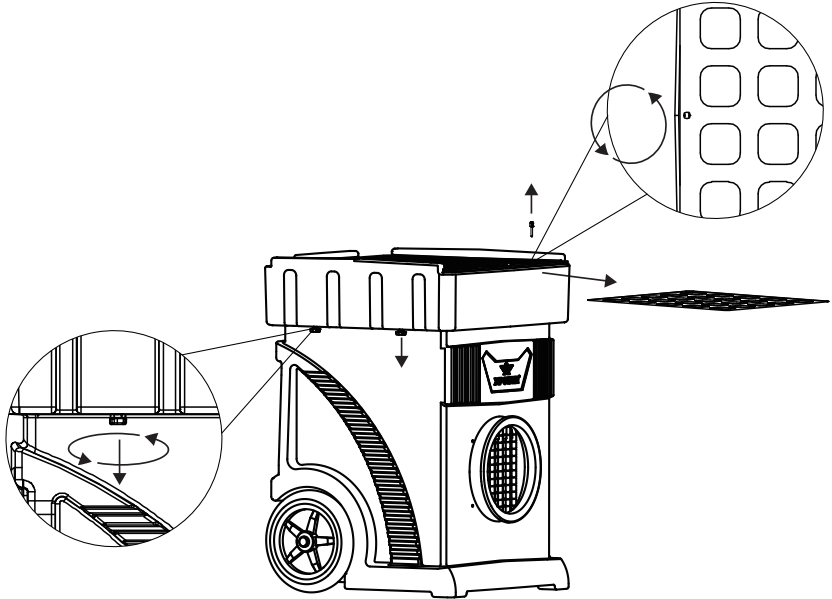
Organize the Cord

- Power cord can be stored into the power cord container at the rear of the air scrubber.

Filter Maintenance

To ensure the best filtration efficiency and to prevent secondary pollution of used filters, you should replace or clean the filters frequently or when the filter clean/change light illuminates. Please follow the instructions below.

Unload the filters (See Also Page 4: Parts Description)



- Screw off the screw on the inlet grill cover and take out the inlet grill cover.
- Screw off the 4 screws on sides, and release the filter fixator.
- Then you could unload the filters from the top.

Clean the filters (See Also Page 4: Parts Description)

- **NNylon Mesh Filters:** This filter is washable. Use a vacuum cleaner or clean rag to remove dust and lint. Then rinse the filter further with water, remove the water from the filter with a cloth, and let it dry naturally in the air.
- **Rigid Polyester Filters:** This filter is washable. This durable front filter extends the life of the rear filter and is easy to clean and install for long-term use.
- **Pleated Media Filters:** This filter is not washable. Remove dust and lint from the filter with a vacuum cleaner. If the filter full light is still on, the filter may need to be replaced.
- **Carbon Filter:** This filter is not washable. Remove dust and lint with a vacuum cleaner or clean rag. Then lay it flat on a dry, clean surface and expose it to full sunlight for 3 hours. At the right temperature, sunlight helps to release the

substances adsorbed in the activated carbon and reactivate the filter. If the filter replacement indicator light is still on after this step, or if you can observe a significant decrease in the filtration effect of the filter, it may be necessary to replace the filter with a new one.

- **HEPA Filters:** This filter cannot be cleaned or reused. The HEPA filter traps highly concentrated particles, and cleaning the filter may be harmful to your health and contaminate the surrounding environment. If all other filters are clean but the filter full light remains on, the filter must be replaced.

Filter storage

- When not in use for a long time, you should store the filter separately from the machine.
- Always clean the filters before storage. Place the filters in a sealed plastic bag and store it in a dry and cool indoor place.

Replace the filters periodically

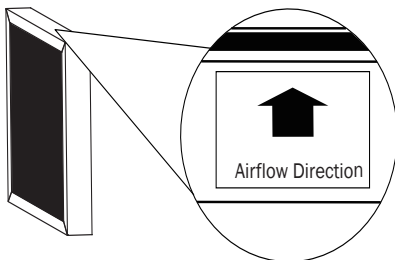
- Even if the pressure gauge shows negative pressure is still lower than the values below, it's suggested to check and replace the filters every 6 months.
- Stored or unused filters are also suggested to check and replace the filters every 6 months.

⚠ WARNING: DISPOSAL OF FILTERS NO LONGER IN USE

The particles captured by a used filter can cause adverse human health effects and contaminate the nearby environment once the filter is exposed to the open air. Adequate personal protection equipment (PPE) is required during the whole process, for example, industry approved masks, eye protectors, gloves and coveralls. You should place the used filters in a sealed plastic bag before disposing. Follow local disposal regulations.

Reload the filters

To ensure the best efficiency and lifespan, each filter must be reloaded in a correct position, sequence and orientation.



Tips:

- On one of the side of each filter, there is a label with an arrow showing the airflow direction.
- When placing the filter, the side with label should face up. The arrow on the label should point to the exhaust.

Troubleshooting Guide

PROBLEM	POSSIBLE CAUSE	SOLUTION
Air Scrubber does not start	No electricity.	Check for power supply.
	The power cord is not properly plugged in.	Remove and reconnect the power cord.
Unit runs but no or very low air movement	Air outlet is blocked.	Remove blockage.
	Filters are fully loaded. The filter clean/change light illuminates.	Clean or replace the loaded filters. (See Page 13: Filter Maintenance)
Insufficient air purification performance	PHI core module is not powered on.	Ensure the PHI Cell Switch is in the 「ON」 position.
Unit runs and stops automatically and repeatedly	The input voltage is too low. The voltage protection within the unit triggers.	Check for power supply. Try to plug in another power outlet. Try to use an extension cord that is 16 AWG or larger and less than 25 feet.

If troubleshooting does not resolve your problem, please contact XPOWER or other parties authorized by XPOWER for further instructions.

Technical Specification

Machine Specification

MODEL NUMBER	AP-1800D / AP-1800DM	AP-2500D AP-2500DM
Voltage/ Frequency	220-240V~, 50Hz	
Power	384 W	900 W
Rated Amperage	3.5 A	4.0 A
Rated Airflow	1900 m ³ /h	3100 m ³ /h
Speed Control	Variable Speeds	
Cord Length	7.6 m	
Unit Dimension (L) x (W) x (H)	57.4 x 63.9 x 94.6 cm	74.8 x 67.8 x 98.6 cm
Unit Weight	22.9 kg	49.5 kg

Filter Specification

FILTER MODEL NUMBER	Type of Filter	Size	Thickness	Function
RP20	Rigid Polyester Filter	20 x 20 in.	1 in.	Primary filtration for visible and coarse particles.
RP24		24 x 24 in.	1 in.	
PF19	Pleated Media Filter	19 x 19 in.	1.4 in.	Medium filtration for fine dust.
PF23		23 x 23 in.	1.8 in.	
CF35-490	Carbon Filter	19 x 19 in.	14 in.	Filtration for gases.
CF35-595		23 x 23 in.	14 in.	
HEPA300- 490PV	Plastic V-Shaped HEPA Filter	19 x 19 in.	11.5 in.	Final filtration for micro particles.
HEPA300-PV		23 x 23 in.	11.5 in.	

XPOWER Limited Warranty

1 YEAR LIMITED WARRANTY

XPOWER-branded products purchased in the U.S. from authorized distributors include a 1-year limited warranty. Contact XPOWER to confirm warranty information about your product(s).

This limited warranty covers defects in materials and workmanship in your XPOWER-branded products. Contact an XPOWER Distributor in your region for warranty service and parts replacement.

Please note :

- (1) Before using, please complete the product registration on XPOWER official website to enjoy the warranty terms.
- (2) This warranty is subject to change, please contact us or refer to the latest after-sales service policy on XPOWER official website.

Items mentioned but not limited to below are not covered by warranty:

- (1) Power cord, filters or any other components considered as a 「consumable parts」 by XPOWER.
- (2) Normal wear and tear.
- (3) Problems that result, directly or indirectly, at XPOWER' s sole discretion, from:
 - (3.1) External causes such as accident, abuse, misuse or problems with electrical power supply.
 - (3.2) Disassembling, servicing or modification not authorized by XPOWER.
 - (3.3) Usage that is not accordant with product instructions stated in Owner' s Manual.
 - (3.4) Failure to follow the product instructions or lack of necessary maintenance stated in Owner' s Manual.

Before contacting XPOWER, the following may also help you resolve your problem:

- (1) Refer to the Troubleshooting Guide in the User's Manual.
- (2) Visit the official XPOWER website for more information and assistance .

You can contact XPOWER in the following ways:

Send e-mail to info@tx-5.com.hk.

When contacting us, please prepare the purchase invoice and other valid purchase certificates, as well as note down the serial number of your product.

If we recommend you to send your product back to us, please pay for one-way shipping to XPOWER's designated return address. XPOWER will professionally inspect your product and contact you as soon as possible to provide feedback on the necessary repair procedures, the length of time, and the potential cost. If your product is under warranty and the necessary repairs are covered by the warranty terms, we will repair or replace your machine free of charge and send it back to the address you specify. Otherwise, you will be responsible for the cost of shipping it back to us.

Warranty Card

(Please cut along the border and save, no replacement for loss)

Thank you for choosing XPOWER products! XPOWER is willing to do our best to provide you with quality service!

The Warranty Card is an important warranty for XPOWER products, please fill out the card carefully and keep it in a safe place.

Model No.		Date of Purchase	
Serial No.		User's Address	
User's Phone No.		Distributor's Chop	
XPOWER Manufacture,Inc. (USA)			



XPOWER Manufacture, INC.

668 S. 6th Ave.,
City of Industry, CA 91746 USA

Read and save these instructions
www.xpower.com | www.tx-5.com.hk