



PLEASE READ AND SAVE THESE INSTRUCTIONS

**MISTING FAN
OWNER'S MANUAL**

MODEL: FM-48
(220-240V/50HZ)



XPOWER MANUFACTURE, INC.
668 S. 6th Ave.,
City of Industry, CA 91746 USA

www.xpower.com
www.tx-5.com.hk info@tx-5.com.hk



Introduction

XPOWER Misting Fans are CE certified professional level multi functional blowers /fans with the most efficient engineering design.

Features:

- Low power draw with a high velocity air flow up to 600 CFM
- Super quiet and super light weight
- Easy and quick to disassemble for thorough cleaning and service
- Convenient cord and water hose wrap design
- Power cord length up to 2.15m / Water hose length up to 3m
- 3 Speed switch
- Safety screens on open vents
- Durable and rugged housing with 1 year warranty

TABLE OF CONTENTS

| | |
|--|------|
| Introduction..... | 3 |
| Operation Instrusctions | 4, 5 |
| Safety Instructions | 6, 7 |
| User Servicing Instructions | 8 |
| Specifications / Troubleshooting | 9 |
| Parts List | 10 |
| XPOWER Warranty / Service | 11 |

Operation Instructions

XPOWER Misting Fans are intended to deliver a fine mist to cool and refresh outdoor areas up to 9 °C . Durable and easy to operate with an effective balance of airflow and misting, the units are suitable for a variety of applications.

1. XPOWER Misting Fans are shipped ready-to-use. Prior to plugging the unit into the power source, inspect completely for any shipping damage.
2. Screw on the misting nozzles if they were removed during storage.
3. Unwrap the electrical cord and water hose. Connect the hose adapter to a standard garden faucet if misting function is needed.
4. Plug the electrical cord into outlet.
5. Carefully place the unit on a stable, flat dry surface.
6. Turn the switch to desired speed and rotate the machine to desired position, while making sure unit operates normally. Turn on the faucet and the switch on the hose adapter.

(Continued at Page 5)



Adjust the misting angle

7. All units in operation must be supervised at all times.

8. When finished, turn off the faucet and the switch on the hose adapter. Then turn off and unplug the Misting Fan. Wrap the water hose first around the handle on the Misting Fan and then the electrical cord.



- 5 -

10. Store in a dry area, away from exposure to sunlight, extreme temperature and humidity, or other extreme environments, when not in use.
11. Be aware that high humidity levels may encourage the growth of biological organisms in the environment .
12. Do not permit the area around the misting fan to become damp or wet. If dampness occurs, turn the output of the misting fan down. If the misting fan output volume cannot be turned down, use the misting fan intermittently. Do not allow absorbent materials, such as carpeting, curtains, drapes, or tablecloths, to become damp.
13. Unplug the appliance during filling and cleaning.
14. Never leave water in the reservoir when the appliance is not in use.
15. Empty and clean the misting fan before storage. Clean the misting fan before next use.
16. New hose-sets supplied with the appliance are to be used and that old hose-sets should not be reused.
17. This fan is an outdoor product and is intended for household use.
18. The fan guard cannot be removed for cleaning purposes.
19. An electronic instruction manual can be obtained through website www.xpower.com.

- 7 -

Safety Instructions

WARNING: IMPORTANT SAFETY PRECAUTIONS! PLEASE READ COMPLETELY BEFORE USING PRODUCT!

When using electrical appliances, basic safety precautions should always be followed to reduce the risk of fire, electric shock, and personal injury, including, but not limited to the following:

1. To prevent electric shock, do not operate unit in standing water. Never plug in or unplug the unit with wet hands or while standing in water.
2. To avoid risk of injury, do not direct air flow at face or body.
3. To reduce the risk of fire or electric shock, do not use the appliance with any solid-state speed control device.
4. Do not operate any appliance with a damaged cord or plug. Discard the unit or return it to an authorized service facility for examination and/or repair.
5. Unplug the appliance from the power supply before servicing or cleaning.
6. Do not run the power cord under carpeting. Do not cover the power cord with throw rugs, runners, or similar coverings. Place the power cord away from traffic area to prevent tripping.
7. If the supply cord is damaged, it must be replaced by the manufacturer or its service agent or a similarly qualified person in order to avoid a hazard.
8. This appliance can be used by children aged from 8 years and above and persons with reduced physical, sensory or mental capabilities or lack of experience and knowledge if they have been given supervision or instruction concerning use of the appliance in a safe way and understand the hazards involved. Children should not play with the appliance.
9. Cleaning and user maintenance shall not be made by children without supervised.

- 6 -

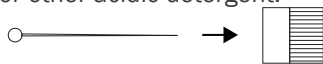
User Servicing Instructions

1. To keep the Misting Fan clean, use a damp cloth to wipe the surface of the housing.
2. Cleaning the Atomization Assembly

When not in use, unscrew the misting nozzles, store the nozzles in a dry indoor place out of reach of children. The nozzles must be dried completely before stored.



- Disassemble the nozzles (See illustration above) and unscrew the water faucet adapter.
- Soak the parts with soapy water or mild (or alkaline) detergent for several hours.
DO NOT use vinegar or other acidic detergent.



- Optionally, use the nozzle cleaner to clean the nozzle hole from the inner surface.
- When finished, dry the surfaces completely and reassemble the parts.

3. When not in use, screw off the misting nozzles, unplug and store the Misting Fan and nozzles in a dry indoor place out of reach of children. The nozzles must be dried completely before stored.
4. Always disconnect the Misting Fan from its power source before maintenance or cleaning.

This marking indicates that this product should not be disposed with other household wastes. To prevent possible harm to the environment or human health from uncontrolled waste disposal, recycle it responsibly to promote the sustainable reuse of material resources.

To return your used device, please use the return and collection systems or contact the retailer where the product was purchased. They can take this product for environmental safe recycling.



- 8 -

Specifications

| | | | |
|-------------------------------------|-----------------|--|---|
| Model Number | FM-48 | Certification | CE/UKCA |
| Volt / Frequency | 220-240V / 50Hz | RPM | 950 / 1150 / 1400 |
| Power | 120 Watts | Speeds | 3 Speed |
| Amp | 0.5 Amps | Unit / Box Weight | 4.7kg/ 5.4kg |
| Rated Airflow (On High) | 600 CFM | Unit / Box Dimension (L x Wx H) | 33.7x 31.2x 38.5cm/ 34.5x 32.2x 37cm |
| Power Cord (Length) | 2.15m | Housing | PP |
| Water Hose Length | 3m | Maximum Inlet Water Pressure | 0.7 Mpa |
| Minimum Inlet Water Pressure | 0.28 Mpa | | |

Troubleshooting

| PROBLEM | POSSIBLE CAUSE | SOLUTION |
|------------------------------------|---------------------------------------|--|
| Misting Fan not running | No power input / Switch not turned on | Check outlet / switch to another outlet, make sure unit is plugged in and switch is turned on. |
| | Intake or exhaust blocked | Turn unit off to cool down, then remove blockage |
| | Fan jammed | Remove material jamming the fan |
| | Wiring failure / Motor Failure | contact XPOWER Customer Service |
| Misting Fan vibrates / makes noise | Fan jammed / broken | Remove material jamming the fan or contact XPOWER Customer Service |
| Nozzles not misting | No water supply | Check water supply / Make sure the water hose is connected and switch is turned on. |
| | Nozzle jammed | Clean the nozzle according maintenance instructions |

- 9-

XPOWER LIMITED WARRANTY

XPOWER warrants this product to be free from defects in material and workmanship for a period of one (1) year from the date of original purchase.

The liability of XPOWER is limited solely to the cost of the repair or replacement of parts/the unit at XPOWER's discretion.

Important!

This warranty does not cover or apply to defects due directly or indirectly to misuse, abuse, disassembly, alteration, corrosive chemicals, improper voltage, fire, flood, negligence, accident, improperly or incorrectly performed maintenance or repair, or failure to perform necessary maintenance or repair, or if the use of this product is not in compliance with the instructions and specifications for its use.

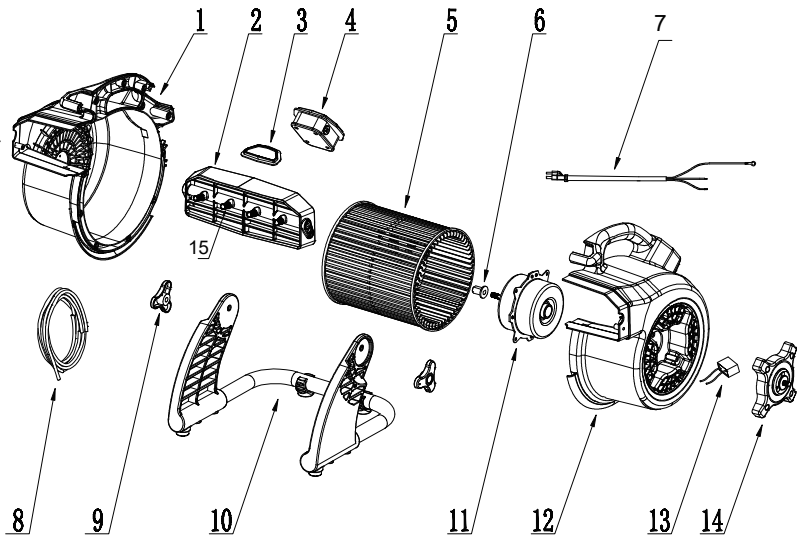
The POWER CORD is not covered by the warranty.

Service

Contact an XPOWER or TX-5 Distributor in your region for warranty service and parts replacement.

Parts List

| Item No. | Parts Name |
|----------|-----------------------|
| 1 | Left housing |
| 2 | Air outlet grid cover |
| 3 | Panel |
| 4 | Switch assembly |
| 5 | Fan |
| 6 | Shaft sleeving |
| 7 | Power cord |
| 8 | Water hose |
| 9 | Rack knob |
| 10 | Rack |
| 11 | Motor |
| 12 | Right housing |
| 13 | Capacitor |
| 14 | Grid Cover |
| 15 | Misting nozzles |



- 10 -



XPOWER Manufacture, INC.

668 S. 6th Ave.,
City of Industry, CA 91746 USA

Read and save these instructions before use
www.xpower.com | www.tx-5.com.hk

Index: HK-1-A3
Edition: 1.2Final